

SIEMENS

EQ900, TQ903..., TQ905..., TQ907...

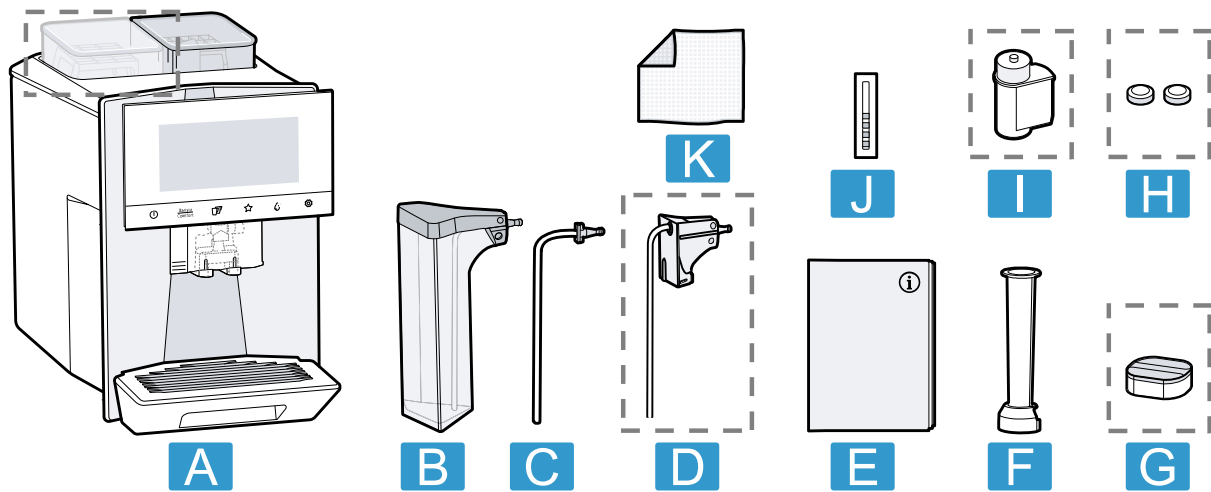
Fully automatic espresso machine



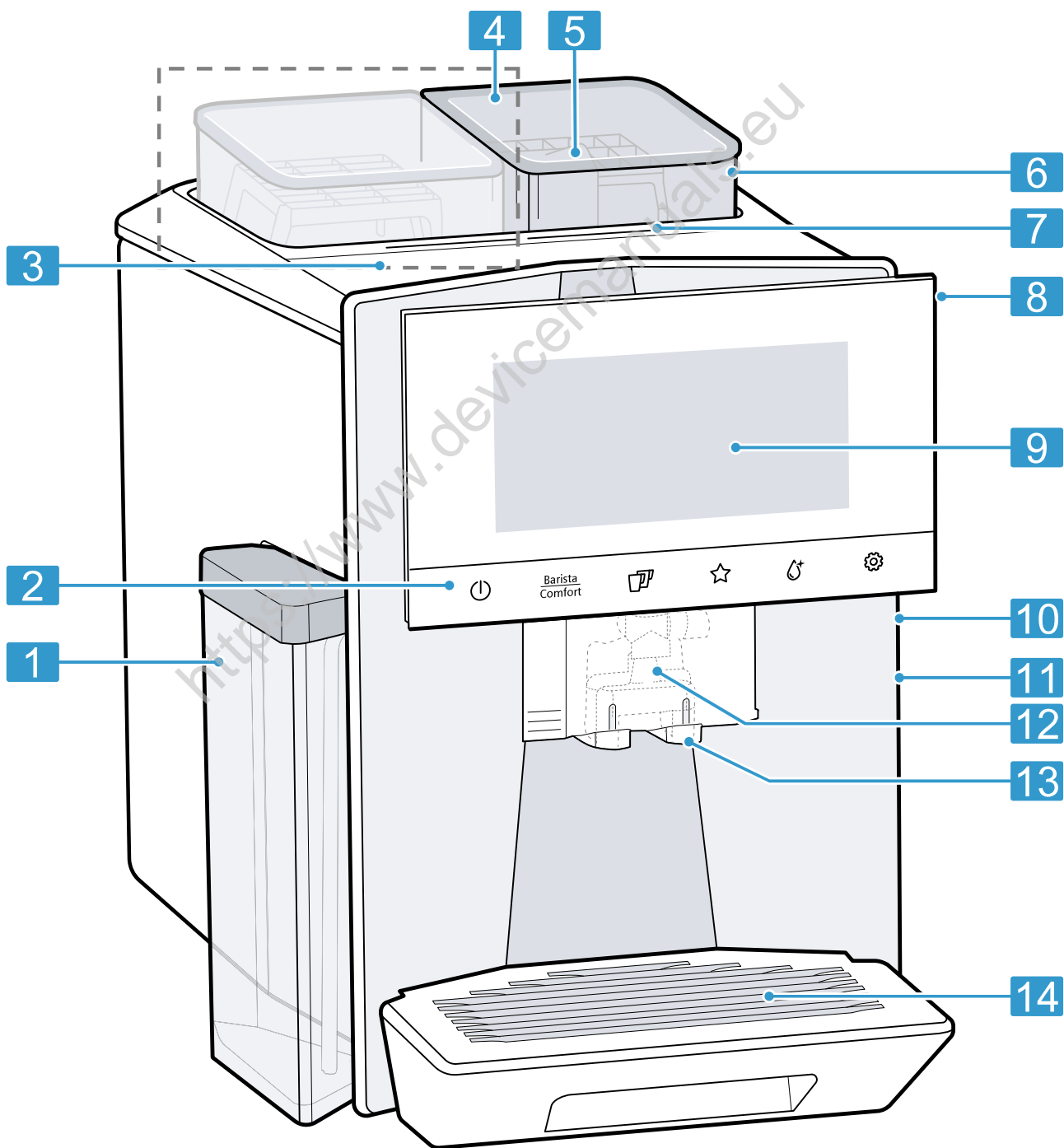
EN	Information for Use	8
AR	دليل المستخدم.....	41

<https://www.devicemanuals.eu>

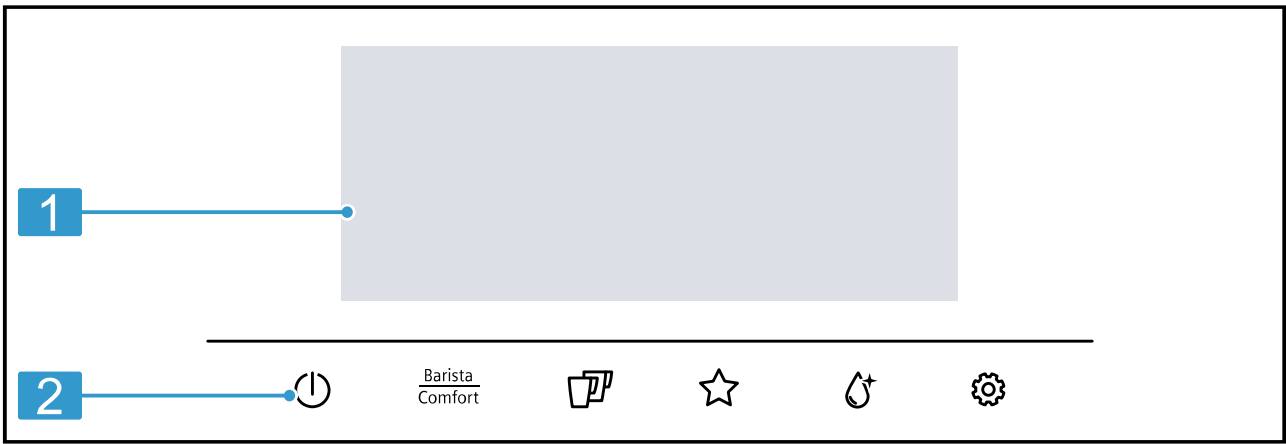




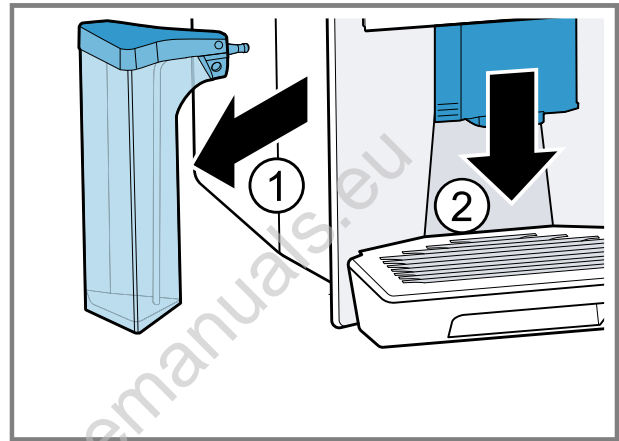
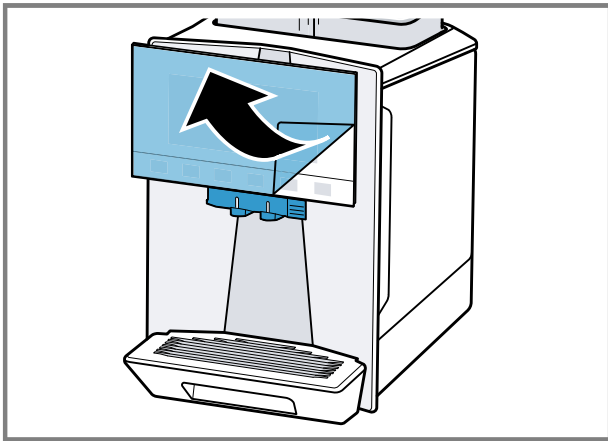
1



2

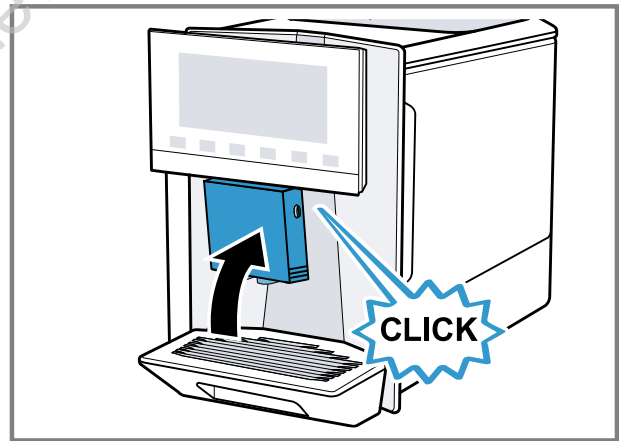
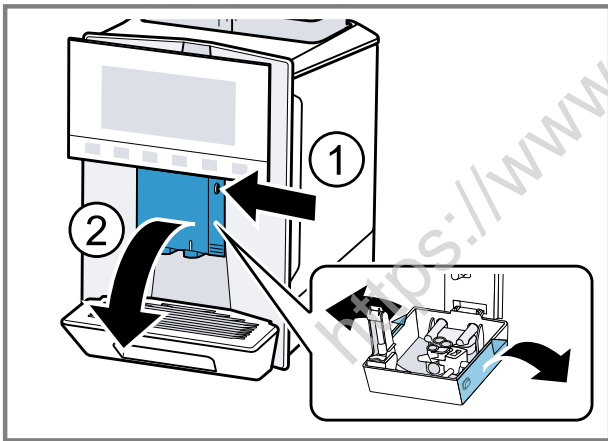


3



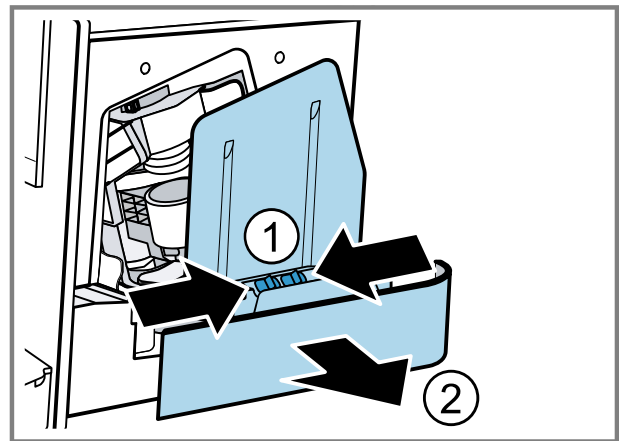
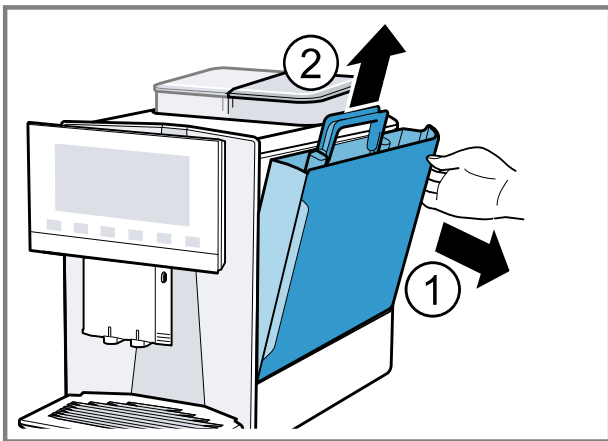
4

5



6

7

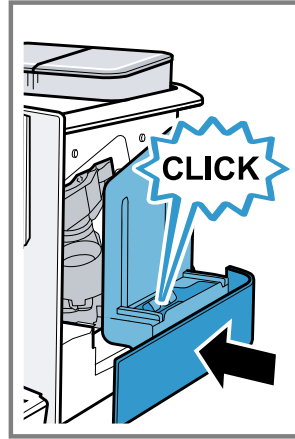


8

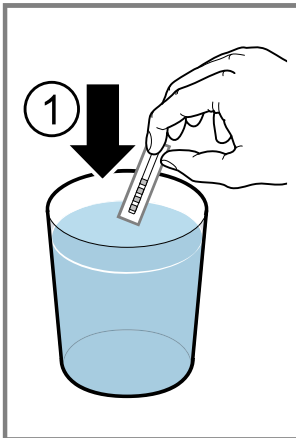
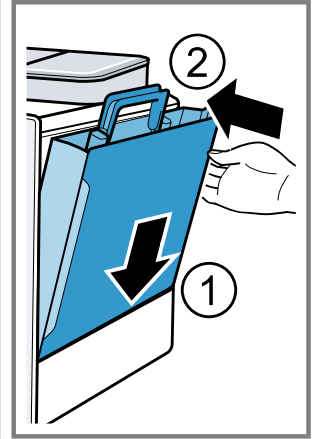
9



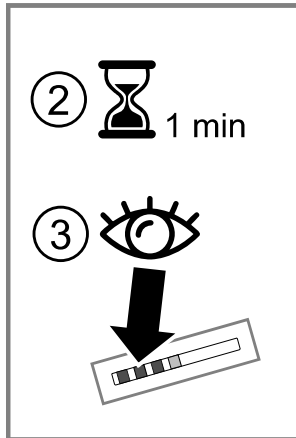
10



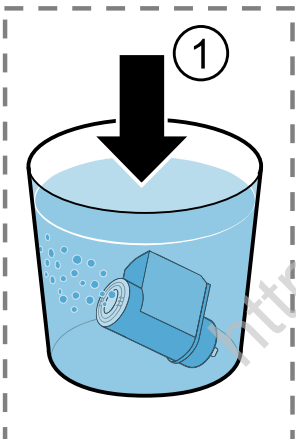
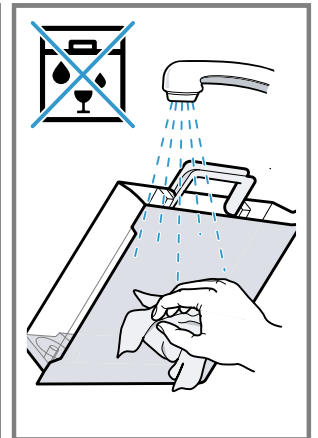
11



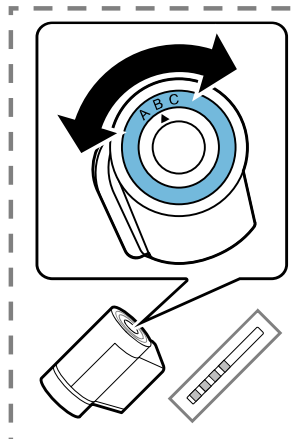
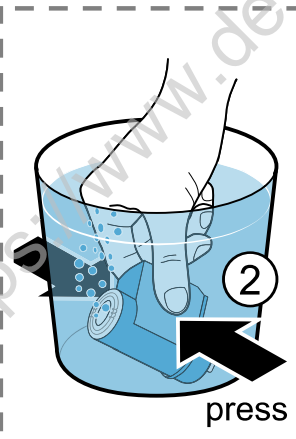
12



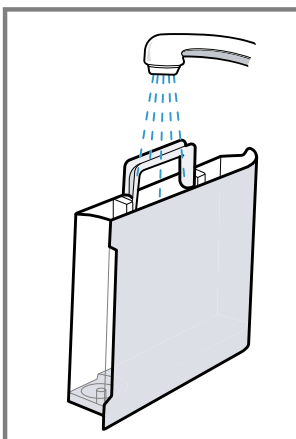
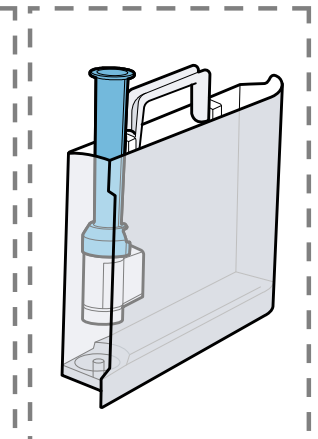
13



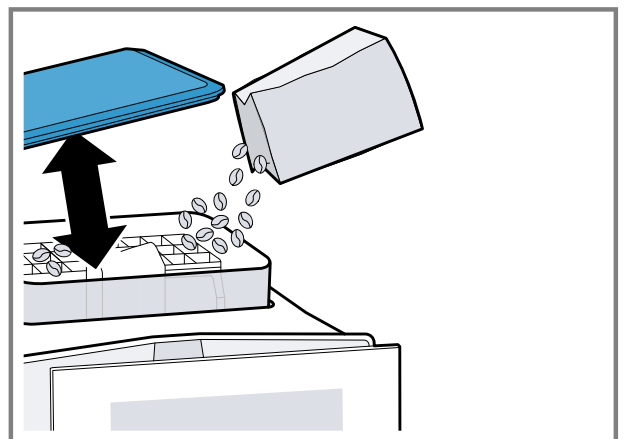
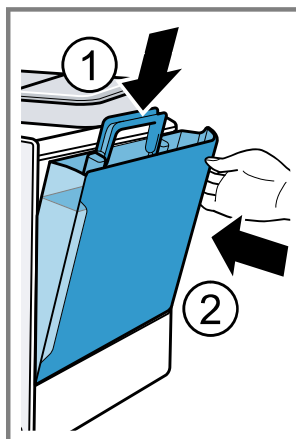
14



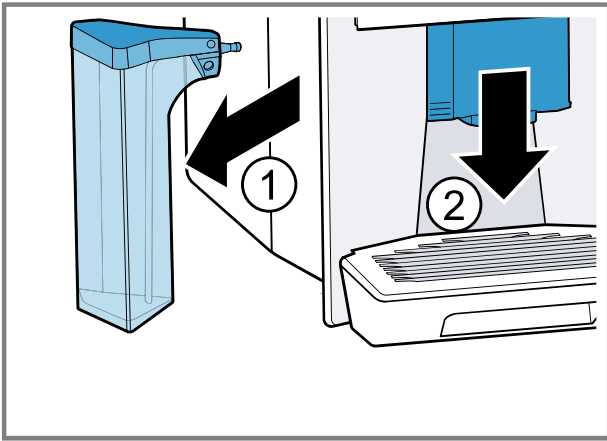
15



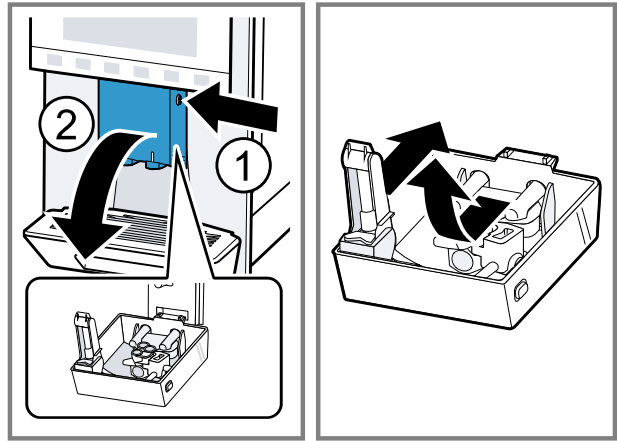
16



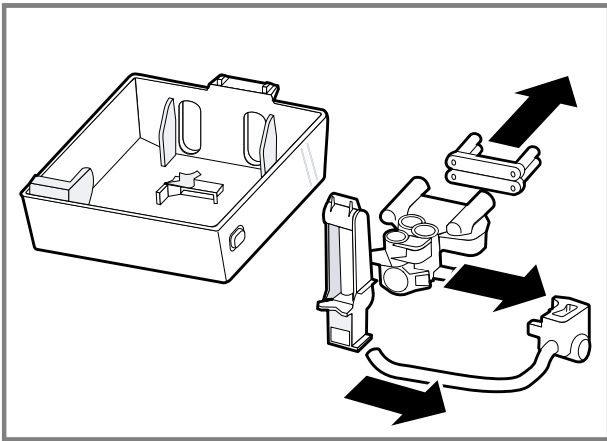
17



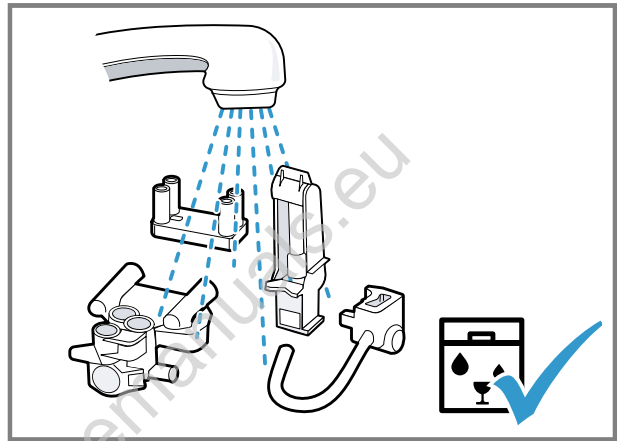
18



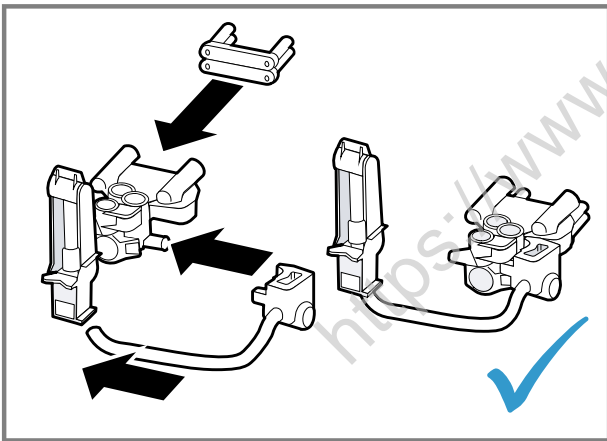
19



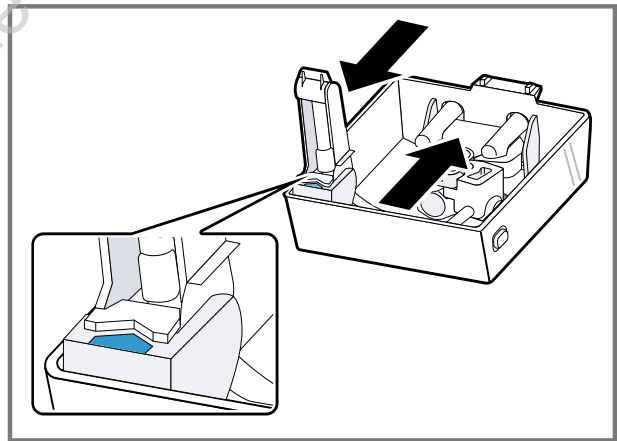
20



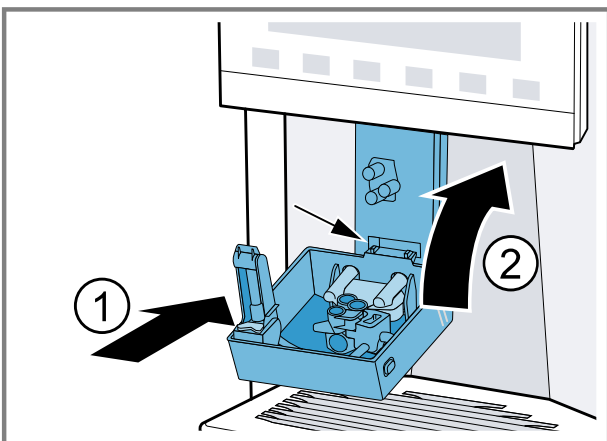
21



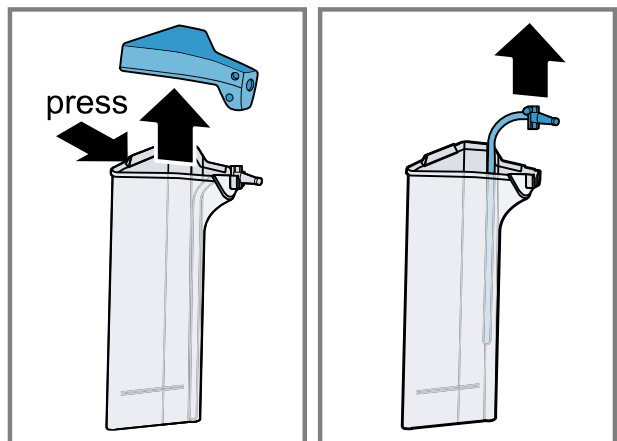
22



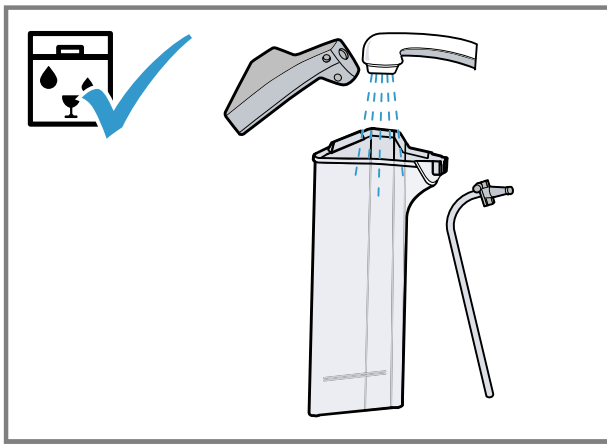
23



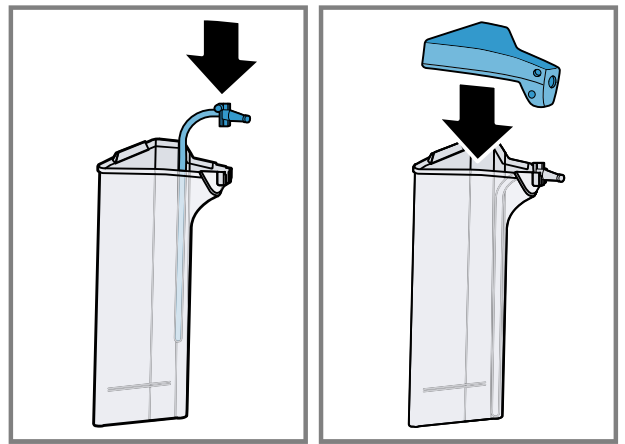
24



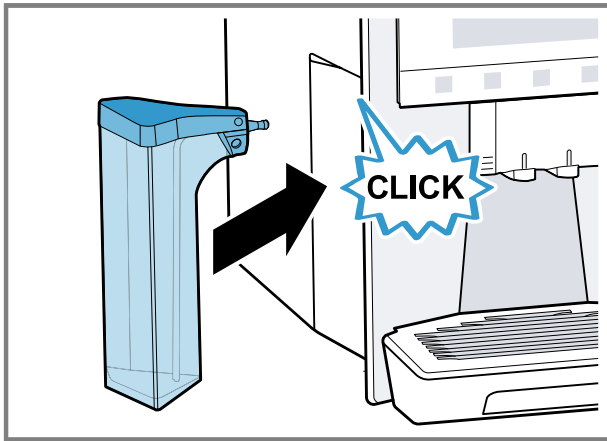
25



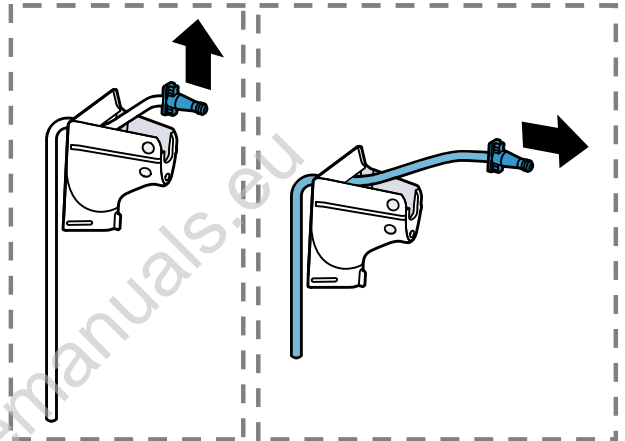
26



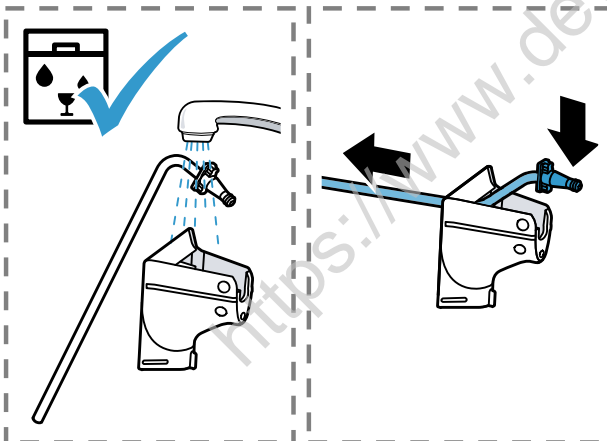
27



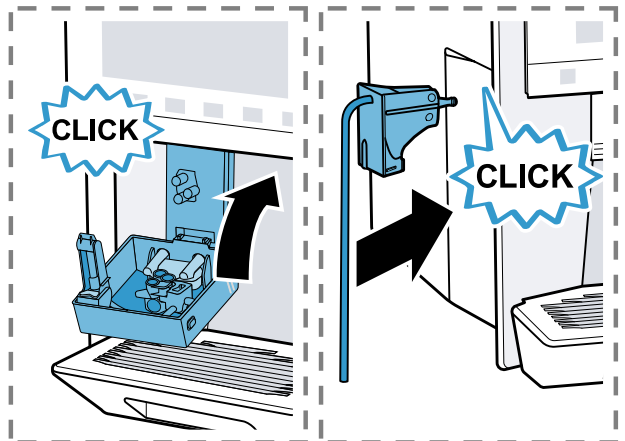
28



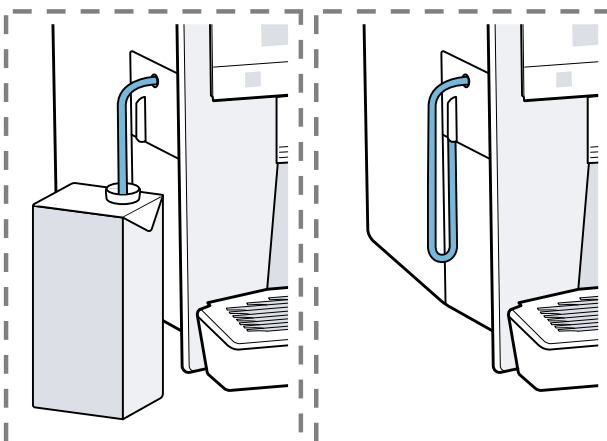
29



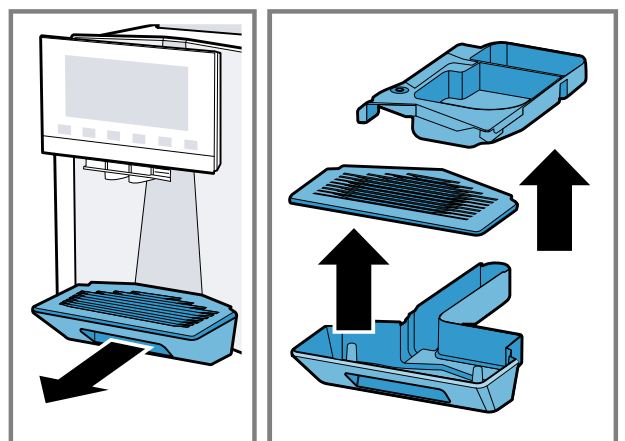
30



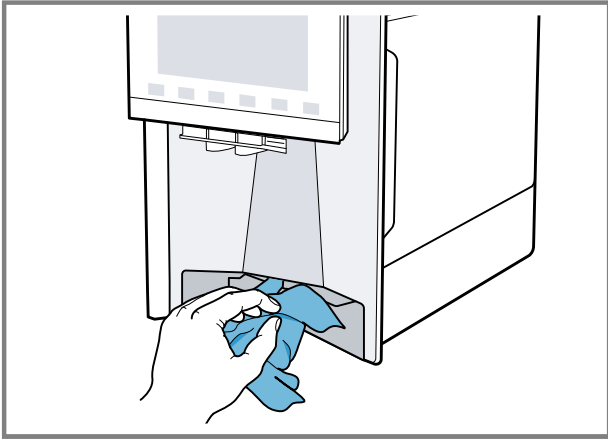
31



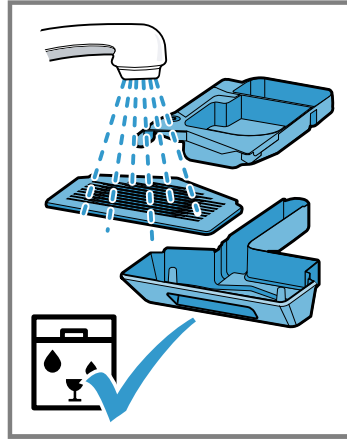
32



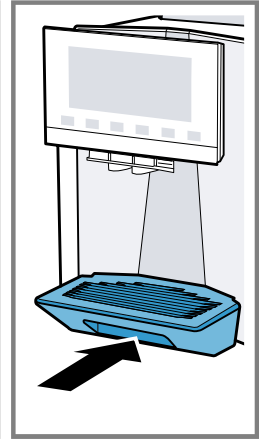
33



34



35



<https://www.devicemanuals.eu>

Further information and explanations are available online:



Table of contents

1 Safety	10		
1.1 General information.....	10		
1.2 Intended use.....	10		
1.3 Restriction on user group.....	10		
1.4 Safety information.....	10		
2 Environmental protection and saving energy	14		
2.1 Disposing of packaging	14		
2.2 Tips for saving energy.....	14		
3 Installation and connection	14		
3.1 Scope of delivery.....	14		
3.2 Installing and connecting the appliance	14		
4 Familiarising yourself with your appliance.....	15		
4.1 Appliance	15		
4.2 Control panel.....	15		
5 Accessories.....	16		
6 Before using for the first time ..	17		
6.1 Preparing and cleaning the appliance	17		
6.2 Checking the water hardness.....	17		
6.3 Water filter	18		
6.4 Performing initial start-up	18		
6.5 General information.....	18		
7 Basic operation	19		
7.1 Switching the appliance on or off	19		
7.2 Dispensing beverages	19		
7.3 doubleShot and tripleShot.....	19		
7.4 Dispensing a coffee drink with milk.....	20		
7.5 baristaMode or comfort-Mode	21		
7.6 Dispensing two cups at once..	21		
7.7 Saving favourite beverage.....	21		
7.8 Using electronic grinding level adjustment eGrinder	21		
7.9 Using beanIdent System ¹	22		
8 Childproof lock.....	22		
8.1 Activating the child-proof lock.....	22		
8.2 Deactivating the childproof lock.....	22		
9 Cup heater¹	22		
9.1 Activating and deactivating the cup heater ¹	22		
10 Personalisation	22		
10.1 Create first profile.....	22		
10.2 Create other profiles.....	23		
10.3 Edit profile	23		
10.4 Delete profile	23		
10.5 Sort profiles	23		
10.6 Add beverage to a profile	23		
10.7 Add a beverage from Classic or coffeeWorld to the profile.....	23		
10.8 Create profile from Classic or coffeeWorld.....	23		
10.9 Edit beverage in profile	24		
10.10 Delete beverage in profile...	24		

¹ Depending on the appliance specifications

11 Home Connect	24
11.1 Setting up the Home Connect app	25
11.2 Setting up Home Connect.....	25
11.3 Home Connect settings.....	25
11.4 Remote diagnostics	26
11.5 Data protection.....	26
12 Basic settings.....	27
12.1 Changing the basic settings.....	27
12.2 Overview of the basic settings.....	27
13 Cleaning and servicing	29
13.1 Dishwasher-safe components.....	29
13.2 Cleaning agent.....	29
13.3 Cleaning the appliance	30
13.4 Cleaning the drip tray and coffee dregs container	30
13.5 Cleaning the milk container ..	30
13.6 Cleaning the water tank	30
13.7 Service programmes.....	30
14 Troubleshooting.....	33
15 Transportation, storage and disposal	38
15.1 Activating frost protection	38
15.2 Disposing of old appliance ...	38
16 Customer Service.....	38
16.1 Product number (E-Nr.), production number (FD) and consecutive numbering (Z-Nr.)	38
16.2 Warranty conditions.....	39
17 Technical specifications.....	39
17.1 Information regarding Free and Open Source Software...	39
18 Declaration of Conformity	39



1 Safety

Observe the following safety instructions.

1.1 General information

- Read this instruction manual carefully.
- Keep the instruction manual and the product information safe for future reference or for the next owner.
- Do not connect the appliance if it has been damaged in transit.

1.2 Intended use

Only use this appliance:

- for preparing hot drinks.
- in private households and in enclosed spaces in a domestic environment.
- up to an altitude of max. 2000 m above sea level.

1.3 Restriction on user group

This appliance may be used by children aged 8 or over and by people who have reduced physical, sensory or mental abilities or inadequate experience and/or knowledge, provided that they are supervised or have been instructed on how to use the appliance safely and have understood the resulting dangers.

Do not let children play with the appliance.

Children must not perform cleaning or user maintenance unless they are at least 8 years old and are being supervised.

Keep children under the age of 8 years away from the appliance and power cable.

1.4 Safety information

WARNING – Risk of suffocation!

Children may put packaging material over their heads or wrap themselves up in it and suffocate.

- ▶ Keep packaging material away from children.
- ▶ Do not let children play with packaging material.

Children may breathe in or swallow small parts, causing them to suffocate.

- ▶ Keep small parts away from children.
- ▶ Do not let children play with small parts.

⚠ WARNING – Risk of electric shock!

Incorrect installation is dangerous.

- ▶ Connect and operate the appliance only in accordance with the specifications on the rating plate.
- ▶ Connect the appliance to a power supply with alternating current only via a properly installed socket with earthing.
- ▶ The protective conductor system of the domestic electrical installation must be properly installed.

If the appliance or the power cord is damaged, this is dangerous.

- ▶ Never operate a damaged appliance.
- ▶ Never operate an appliance with a cracked or fractured surface.
- ▶ Never pull on the power cord to unplug the appliance. Always unplug the appliance at the mains.
- ▶ If the appliance or the power cord is damaged, immediately unplug the power cord or switch off the fuse in the fuse box.
- ▶ Call customer services. → *Page 38*

Improper repairs are dangerous.

- ▶ Repairs to the appliance should only be carried out by trained specialist staff.
- ▶ Only use genuine spare parts when repairing the appliance.
- ▶ If the power cord of this appliance is damaged, it must be replaced by the manufacturer, the manufacturer's Customer Service or a similarly qualified person in order to prevent any risk.

An ingress of moisture can cause an electric shock.

- ▶ Never immerse the appliance or the power cord in water.
- ▶ Liquids must not be spilled on the appliance plug connection.
- ▶ Only use the appliance in enclosed spaces.
- ▶ Never expose the appliance to intense heat or humidity.
- ▶ Do not use steam- or high-pressure cleaners to clean the appliance.

⚠ WARNING – Risk of fire!

The appliance will become hot.

- ▶ Ventilate the appliance adequately.
- ▶ Never operate the appliance in a cupboard.

It is dangerous to use an extended power cord and non-approved adapters.

- ▶ Do not use extension cables or multiple socket strips.
- ▶ Only use adapters and power cords approved by the manufacturer.
- ▶ If the power cord is too short and a longer one is not available, please contact an electrician to have the domestic installation adapted.

⚠ WARNING – Risk of burns!

Some parts of the appliance become very hot.

- ▶ Never touch hot appliance parts.
- ▶ Allow hot appliance parts to cool down before touching.

⚠ WARNING – Risk of scalding!

Freshly prepared drinks are very hot.

- ▶ Leave drinks to cool down if necessary.
- ▶ Do not let escaping liquids or steam come into contact with your skin.

A remote start via the Home Connect app while the appliance is unattended may cause scalding to third parties.

- ▶ Do not reach under the coffee outlet during the dispensing of drinks.
- ▶ Keep other persons, in particular children, away from the appliance.

⚠ WARNING – Risk of injury!

Improper use of the appliance may endanger the user.

- ▶ To avoid injuries, only use the appliance for its intended purpose.

Trapped fingers when closing the appliance door.

- ▶ Be careful of your fingers when closing the appliance door.

The grinder rotates.

- ▶ Never reach into the grinder.

⚠ WARNING – Danger: Magnetism!

The appliance contains permanent magnets. These may affect electronic implants, e.g. pacemakers or insulin pumps.

- ▶ People with electronic implants must stand at least 10 cm away from the appliance.
- ▶ This minimum distance of 10 cm must also be observed for the water tank when removed.

⚠ WARNING – Risk of harm to health!

Soiling on the appliance may be harmful to health.

- ▶ To ensure hygiene, follow the cleaning instructions for the appliance.

<https://www.devicemanuals.eu>

2 Environmental protection and saving energy

2.1 Disposing of packaging

The packaging materials are environmentally compatible and can be recycled.

- ▶ Sort the individual components by type and dispose of them separately.

2.2 Tips for saving energy

If you follow these instructions, your appliance will use less power.

Set the interval for automatic switch-off to the smallest value.

- ✓ If the appliance is not being used, it will switch itself off earlier.
→ "Basic settings", Page 27

Do not interrupt the dispensing process prematurely.

- ✓ The amount of water or milk that is heated is used optimally.

Descal the appliance regularly.

- ✓ Limescale deposits increase the appliance's energy consumption.

3 Installation and connection

3.1 Scope of delivery

After unpacking all parts, check for any damage in transit and completeness of the delivery.

Note: Different accessories are enclosed depending on the appliance model. This accessory is shown in a frame with a dashed line.

→ Fig. 1

A	Fully automatic coffee machine
B	Milk container
C	Milk tube
D	Adapter for milk containers ¹
E	User manual
F	Insertion aid for water filter
G	Descaling tablet ¹
H	Cleaning tablet ¹
I	Water filter
J	Water hardness testing strip
K	Microfibre cloth

¹ Depending on the appliance specifications

3.2 Installing and connecting the appliance

ATTENTION!

Risk of damage to the appliance. If the appliance is not started up correctly, it may be damaged.

- ▶ Use the appliance in frost-free rooms only.
- ▶ If the appliance has been transported or stored below 0 °C, wait 3 hours at room temperature before starting it up.
- ▶ After plugging in, always wait approx. 5 seconds.

1. Place the appliance on a level, water-resistant surface that is capable of bearing its weight.

2. Using the mains plug, connect the appliance to an earthed socket that has been correctly installed.

4 Familiarising yourself with your appliance

4.1 Appliance

You can find an overview of the parts of your appliance here.

Notes

- Individual details and colours may differ, depending on the appliance model.
- The operating instructions describe two product variants:
 - Appliance has a bean container.
 - Appliance has two bean containers.

→ Fig. 2

1	Milk container
2	Touch fields
3	Cup heater ¹
4	Bean container ¹
5	Tablet compartment
6	Aroma lid ¹
7	Bean container LED display ¹
8	Rating plate
9	Touch display
10	Brewing chamber door
11	Water tank
12	Milk system

¹ Depending on the appliance specifications

13 Beverage outlet cover

14 Drip tray

¹ Depending on the appliance specifications

4.2 Control panel

You can use the control panel to configure all functions of your appliance and to obtain information about the operating status.

→ Fig. 3

1 Touch display

2 Touch fields







Touch display

The touch display functions both as a display and a control element.



Main menu

Profiles	Select saved beverages with personal settings.
Classic	Select standard beverages.
coffee-World	Select basic beverages which can be extended in conjunction with Home Connect.

Beverage parameters

	Strength
	Quantity
	Share of milk
	Grinding level
	Contact time
	Temperature

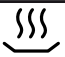




¹ Depending on the appliance specifications




	Bean type selected ¹
	Select bean container ¹ .

¹ Depending on the appliance specifications

Tip: You can find other beverage settings in the basic settings.







Display

comfort barista	Appliance is in baristaMode or comfortMode.
	Cup warmer is switched on.
	aromaBoost
	Appliance is connected to Home Connect.
	Appliance is not connected to Home Connect.
	Appliance is not connected to the server.

	Descaling is necessary and will be carried out shortly.
	Please run descaling programme urgently! Appliance will shortly be locked.
	"Demo mode" is activated.

Touch fields

Here you can find an overview of the symbols that are always visible.

	Switch the appliance on or off.
	Select baristaMode or comfortMode.
	Dispense two cups.
	Save favourite beverage.
	Open or close the service programmes.
	Open or exit the settings.

5 Accessories

Use original accessories. These have been made especially for your appliance.

Accessories	Retail	Customer service
Cleaning tablets	TZ80001A	00312097
	TZ80001B	00312098
Descaling tablets	TZ80002A	00312094
	TZ80002B	00312095
Water filter	TZ70003	00575491
Water filter pack of 3	TZ70033A	-
Microfibre cloth	-	00460770
Care set	TZ80004A	00312105
	TZ80004B	00312106
Adapter for milk containers	TZ70001	17006005

6 Before using for the first time

Prepare the appliance for use.

6.1 Preparing and cleaning the appliance

Remove the protective foils and clean the appliance and individual parts. Follow the illustrated instructions at the beginning of this manual.

ATTENTION!

Unsuitable beans can block the grinder.

- ▶ Only use pure, roasted bean mixes that are suitable for use in fully automatic coffee or espresso machines.
- ▶ Do not use glazed coffee beans.
- ▶ Do not use caramelised coffee beans.
- ▶ Do not use coffee beans that have been treated with additives containing sugar.
- ▶ Do not add instant coffee.

→ Fig. **4** - **32**

Notes

- Fill the water tank each day with fresh, cold, non-carbonated water.
- If you have the product variant with 2 bean containers, you can add 2 different types of coffee. The LED of the active bean container lights up.
- The appliance memorises the bean container last selected for each drink. You can change this default setting.

→ "Basic settings", Page 27

Tip: To keep the coffee beans at their best, store them in a sealed container in a cool place.

You can keep the coffee beans in the bean container for several days without them losing their aroma.

6.2 Checking the water hardness

It is important to set the water hardness correctly so that your appliance indicates in good time that it needs descaling. You can use the enclosed test strip to check the water hardness or ask your local water company.

1. Briefly dip the test strip in fresh tap water.
2. Allow the water to drain off the test strip.
3. Read the water hardness off the test strip after 1 minute.

The table shows allocation of the levels to the different degrees of water hardness:

Level	German degrees in °dH	Total hardness in mmol/l
1	1-7	< 1.3
2	8-14	1.3-2.5
3	15-21	2.5-3.8
4 ¹	22-30	> 3.8

¹ Factory setting

Note: Please use the test strip even if you have a water softening system installed as they generate different water hardnesses.

Tips

- You can change the settings at any time.
→ "Basic settings", Page 27

en first time

- If the water hardness exceeds 21 °dH (3.8 mmol/l), you can fill the water tank with prefiltered water to reduce limescale deposits.

6.3 Water filter

You can use a water filter to minimise limescale deposits and reduce impurities in the water.

Inserting the water filter

ATTENTION!


Possible damage to the appliance due to limescale build-up.

- ▶ Change the water filter in good time.
- ▶ Change the water filter after 2 months at the latest.
- ▶ Observe the display messages.

1. Press .
2. Press "INTENZA filter" and follow the instructions on the display.

Changing or removing the water filter

You can also operate your appliance without a water filter.

1. Press .
2. Press "INTENZA filter".
3. Press "Replace" or "Remove" and follow the instructions on the display.


Tips

- You should also change your water filter for reasons of hygiene.
- With a water filter you need to descale your appliance less frequently.
- If you use a water filter, your coffee will be more flavoursome.
- If your appliance has not been used for a long time, for example if you were on holiday, you should rinse the water filter before use by dispensing a cup of hot water.

- The water filter can be purchased from retailers or customer service.
→ "Accessories", Page 16

6.4 Performing initial start-up

After connecting the appliance to the power supply, configure the settings for initial start-up. Initial start-up only appears when switching on for the first time.

1. Press  to switch the appliance on.
 2. Follow the instructions on the display.
- ✓ The display will guide you through the programme.

Notes

- If you want to set up Home Connect now, follow the instructions in the Home Connect app.
→ "Setting up Home Connect", Page 25
- If "Demo mode" is selected, only the displays will work. You cannot dispense a beverage or run a programme.

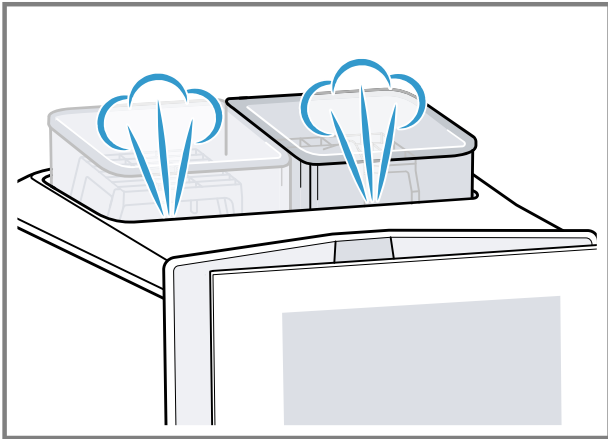
6.5 General information

Please bear this information in mind so that you can get the best out of your appliance.

Notes

- The appliance has been programmed at the factory with standard settings for optimum operation.
- The grinder has been factory-set for optimum operation. If coffee is only dispensed drop by drop or is too thin and with too little crema, you can set the grinding level.
→ "Using electronic grinding level adjustment eGrinder", Page 21
- During operation water droplets may form at the ventilation slits and on the lid of the tablet compartment.

- If you do not perform any actions on the appliance for a certain period, it will switch off automatically. You can change the duration in the basic settings.
- For technical reasons steam can escape from the appliance.



- The first beverage will not yet have its full aroma if:
 - You are using the appliance for the first time.
 - You have run a service programme.
 - You have not used the appliance for a long time.

Do not drink the beverage.

Tip: You will get a stable, fine-pored crema after you have started up your appliance and dispensed a few cups.

7 Basic operation

7.1 Switching the appliance on or off

- ▶ Press .

When the appliance switches on, the display shows the logo. When the appliance is switched on or off, it will rinse automatically. The appliance will not rinse if the appliance is still warm when switched on or if no beverage was dispensed before it was switched off.

7.2 Dispensing beverages

Find out how to prepare a drink of your choice.

WARNING **Risk of scalding!**

Freshly prepared drinks are very hot.

- ▶ Leave drinks to cool down if necessary.
- ▶ Do not let escaping liquids or steam come into contact with your skin.

Notes

- With a number of settings your coffee is prepared in several steps. Wait until the process is fully completed.
- If you are dispensing a beverage with milk, always connect the milk container filled with milk or the milk adapter to a milk carton.
 - You can only insert or remove the beverage outlet if the milk container or milk adapter is not connected.
- The milk container is specially designed for this appliance. Only use the milk container for storing milk in the refrigerator and in the house.
- If the milk system has not been cleaned, small amounts of milk may escape when hot water is dispensed.

7.3 doubleShot and tripleShot

Your appliance grinds the coffee two or three times.

To ensure that only pleasant-tasting and easily digestible aromatic substances are released, coffee beans are freshly ground and brewed again by the appliance.

The longer coffee brews, the more bitter substances and undesirable aromas are released. These bitter

en operation

substances and undesirable aromas affect the taste and digestibility of coffee.

Note: The functions "doubleShot" and "tripleShot" depend on the beverage, the beverage strength and the beverage size selected.

7.4 Dispensing a coffee drink with milk

An example explains how to make a latte macchiato.



WARNING **Risk of burns!**





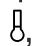
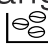
The milk system can become extremely hot.

- ▶ Never touch the milk system when it is hot.
- ▶ Allow the hot milk system to cool down before touching it.

Requirements

- The appliance is switched on and the water tank and bean container have been filled.
- The milk container or milk adapter is connected.
- The milk container is filled with milk or the milk adapter hose is immersed in milk.

1. Place a glass underneath the beverage outlet.
2. Press  and select "baristaMode".
3. Press "Classic".
4. Select the beverage symbol for latte macchiato.
5. Press the beverage symbol and set the beverage parameters.
 - To set the strength , press the segments.

- To set the per-cup quantity , press the segments.
- To set the milk ratio , press the segments.
- To set the grinding level , press the segments.
→ "Using electronic grinding level adjustment eGrinder", Page 21
- To set the contact time , press the segments.
- To set the brewing temperature , press the segments.
- To change the bean container ¹, press .

6. Press "Start" and wait until the process is complete.

- To completely stop dispensing the beverage, press "Stop".
- To only stop the current dispensing step, press "Skip".

Notes

- If you do not change any settings for approx. 30 seconds, the appliance will exit settings mode.
- The appliance saves the settings automatically.
- To reset all beverage parameters, press "Reset".

Tips

- You can also pre-heat cups before dispensing using hot water or the cup heater¹.
- The appliance variant with 2 bean containers allows you to switch containers ¹ while dispensing a beverage if the bean container is empty. Dispensing will then continue with the full bean container.
- You can also use plant-based alternatives to milk, e.g. soya milk.
- The quality of the milk froth depends on the type of milk or plant-based alternative used.

¹ Depending on the appliance specifications


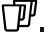
7.5 baristaMode or comfort-Mode

You can select the mode. When selecting "baristaMode", more setting options are available for the individual beverages, e.g. contact time.

7.6 Dispensing two cups at once

Depending on your beverage, you can make 2 cups at the same time.

Note: If the "doubleShot" or "tripleShot" function is active, the function for dispensing two cups at once is not possible.

1. Press the symbol for the required beverage.
2. Press .
- ✓ The display shows the setting .
3. Place two cups on the left and right underneath the beverage outlet.
4. Press "Start".
The beverage is prepared in 2 steps. The beans are ground in 2 grinding operations.
- ✓ The beverage is brewed and then runs into the cups.
5. Wait until the process is complete.

7.7 Saving favourite beverage

You can directly save a favourite beverage that you frequently dispense.

1. Press the symbol for the required beverage.
2. Press the beverage symbol and set the beverage parameters.
3. To save, press ☆ for 3 seconds.



Tips

- To display and start your favourite beverage at any time, briefly press ☆.
- You can save a new favourite beverage at any time.

Note: If you save a new favourite beverage, this will replace your existing favourite.

7.8 Using electronic grinding level adjustment eGrinder

Your appliance has an adjustable grinder, which you can use to customise the grinding level of the coffee beans in "baristaMode".

1. Press  and select "baristaMode".
2. Press the symbol for the required beverage.
3. Press  and set the grinding level.


Note: The appliance variant with 2 bean containers allows you to set the grinding level for each bean container separately.

Tips

- You can set the basic grinding level for the "comfortMode" in the beverage settings.
- In "comfortMode" you can also use the "aromaBoost" function for small beverages, e.g. espresso. With "aromaBoost" the grinding level is set slightly finer than the basic grinding level selected.
- If the coffee is only dispensed drop by drop, set a coarser grinding level.
If the coffee is too thin with too little crema, set a finer grinding level.

7.9 Using beanIdent System ¹

You can set your appliance to the type of coffee bean you are using.


1. Press .
2. Select "Beverage settings".
3. Select "beanIdent System".
4. Select the type of coffee.

8 Childproof lock


You can lock the appliance, to protect children against scalding and burns.

8.1 Activating the child-proof lock

Requirement: The appliance is switched on.

- ▶ Press and hold  for at least 3 seconds.
- ✓ The childproof lock is activated.

8.2 Deactivating the child-proof lock

- ▶ Press and hold  for at least 3 seconds.
- ✓ The childproof lock is deactivated.

9 Cup heater¹

You can use the cup heater to pre-heat your cups.

9.1 Activating and deactivating the cup heater¹

 **WARNING**
Risk of burns!

The cup heater¹ can become very hot.


- ▶ Never touch the cup heater¹ while hot.
- ▶ Allow the hot cup heater¹ to cool down before touching it.

Tip: Place the cups with their base on the cup heater to warm them to optimum effect¹.

- ▶ You can activate or deactivate the cup heater¹ in the basic settings.

10 Personalisation

Save beverages in your personal profile.

A profile contains preferred beverages with personal settings. To exit the settings, press .

Tip: You can change the settings at any time.

10.1 Create first profile

1. Press "Profiles".
2. Press "Create profile".
3. Enter a profile name, e.g. Tom.
4. Press "Save".
5. Select a background picture.
6. Press "Next".
7. Press + "Add beverage".
8. Select a beverage and press "Select".
9. Set the beverage parameters and press "Save".

¹ Depending on the appliance specifications

10. Enter a beverage name and press "Save".

10.2 Create other profiles

1. Press "Profiles".
2. Press "Profiles" at the bottom of the display.
3. Press + "Add profile".
4. Enter a profile name.
5. Press "Save".
6. Select a background picture.
7. Press "Next".
8. Press + "Add beverage".
9. Select a beverage and press "Select".
10. Set the beverage parameters and press "Save".
11. Enter a beverage name and press "Save".

Note: The profile used last is always shown in the profiles. If several profiles have been created, press "Profiles" at the bottom of the display to create new profiles or edit existing ones.

10.3 Edit profile


1. Press "Profiles".
2. Press "Profiles" at the bottom of the display.
3. Press "Edit profiles".
4. Press the required profile.
5. Change the profile name and press "Save".
6. Select the required background picture and press "Next".

10.4 Delete profile

1. Press "Profiles".
2. Press "Profiles" at the bottom of the display.
3. Press "Delete profile".
4. Press the required profile.

5. Press "Delete".

10.5 Sort profiles

1. Press .
2. Press "Personalisation".
3. Press "Profile sequence".
4. Sort the profiles.

10.6 Add beverage to a profile

1. Press "Profiles".
2. Press "Profiles" at the bottom of the display.
3. Press the required profile.
4. Press + "Add beverage".
5. Select a beverage and press "Select".
6. Set the beverage parameters and press "Save".
7. Enter a beverage name and press "Save".

10.7 Add a beverage from Classic or coffeeWorld to the profile

1. Select a beverage from "Classic" or "coffeeWorld".
 2. Set the beverage parameters.
 3. Press "Save in profile".
 4. Select the required profile.
 5. Enter a name for the beverage.
 6. Press "Save".
- ✓ The beverage is now saved in the profile.

10.8 Create profile from Classic or coffeeWorld

1. Select a beverage from "Classic" or "coffeeWorld".
2. Set the beverage parameters.
3. Press "Save in profile".
4. Press + "Add profile".

5. Enter a profile name.
 6. Press "Save".
 7. Select a background picture.
 8. Press "Next".
 9. Enter a beverage name and press "Save".
- ✓ The profile and beverage are now saved.

10.9 Edit beverage in profile

1. Press "Profiles".
2. Press "Profiles" at the bottom of the display.
3. Press the required profile.
4. Select a beverage.
5. Set the beverage parameters.
6. Press "Save".
7. Press "Overwrite".
8. Start the beverage or use ← to return to the menu.

10.10 Delete beverage in profile

1. Press "Profiles".
2. Press "Profiles" at the bottom of the display.
3. Select and press the profile.
4. Press the beverage.
5. Press "Delete".

depends on the availability of Home Connect services in your country. You can find information about this at: www.home-connect.com. To be able to use Home Connect, you must first set up the connection to the WLAN home network (Wi-Fi¹) and to the Home Connect app.

The Home Connect app guides you through the entire login process. Follow the instructions in the Home Connect app to configure the settings.

Tip: Please also follow the instructions in the Home Connect app.

Notes

- Please note the safety precautions in this instruction manual and make sure that they are also observed when operating the appliance via the Home Connect app. → "Safety", Page 10
- Operating the appliance on the appliance itself always takes priority. During this time it is not possible to operate the appliance using the Home Connect app.

11 Home Connect

This appliance is network-capable. Connecting your appliance to a mobile device lets you control its functions via the Home Connect app, adjust its basic settings and monitor its operating status.

The Home Connect services are not available in every country. The availability of the Home Connect function

¹ Wi-Fi is a registered trademark of the Wi-Fi Alliance.

11.1 Setting up the Home Connect app

1. Install the Home Connect app on your mobile device.



1

2. Start the Home Connect app and set up access for Home Connect. The Home Connect app guides you through the entire login process.

11.2 Setting up Home Connect

Requirements

- The Home Connect app has been installed on your mobile device.
 - The appliance is receiving signals from the WLAN home network (Wi-Fi) at its installation location.
1. Open the Home Connect app and scan the following QR code.



2. Follow the instructions in the Home Connect app.

11.3 Home Connect settings

Adapt Home Connect to your needs.

You can find the Home Connect settings in the basic settings for your appliance. Which settings the display shows will depend on whether Home Connect has been set up and whether the appliance is connected to your home network.

¹ Apple App Store und the Apple App Store logo are trademarks of Apple Inc. Google Play and the Google Play logo are trademarks of Google LLC.

Overview of the Home Connect settings

You can find an overview of the Home Connect settings and network settings here.

Basic setting	Selection	Description
WiFi connection	On Off	Switch off the wireless module during long absences or to save energy. Note: In networked standby mode your appliance requires max. 2 W.
Remote start	On Off	Switch remote start on the appliance on and off. Note: With the Home Connect app only switch-off is possible.
Add mobile device	-	Connect the appliance to the "Home Connect" app or additional accounts.
Network information	-	Display network information and appliance information.
Delete network settings	-	Note: You cannot operate your appliance via the "Home Connect" app without a network connection.
Software update	-	Note: This setting is only available with a software update.

11.4 Remote diagnostics

Customer Service can use Remote Diagnostics to access your appliance if you contact them, have your appliance connected to the Home Connect server and if Remote Diagnostics is available in the country in which you are using the appliance.

Tip: For further information and details about the availability of Remote Diagnostics in your country, please visit the service/support section of your local website: www.home-connect.com.

11.5 Data protection

Please see the information on data protection.

The first time your appliance is registered on a home network connected to the Internet, your

appliance will transmit the following types of data to the Home Connect server (initial registration):

- Unique appliance identification (consisting of appliance codes as well as the MAC address of the Wi-Fi communication module installed).
- Security certificate of the Wi-Fi communication module (to ensure a secure data connection).
- The current software and hardware version of your appliance.
- Status of any previous reset to factory settings.

This initial registration prepares the Home Connect functions for use and is only required when you want to use the Home Connect functions for the first time.

Note: Please note that the Home Connect functions can only be utilised with the Home Connect app. Information on data protection can be retrieved in the Home Connect app.

12 Basic settings

You can configure the basic settings for your appliance to meet your needs and call up additional functions.


12.2 Overview of the basic settings

You can find an overview of the basic settings here.

Basic setting	Selection	Use
Beverage setting	Bean container	Set allocation of the bean containers.
	eGrinder	Electronic grinding level adjustment Set the basic grinding level in "comfortMode".
	beanIdent System	Select the type of beans used. → "Using beanIdent System ", Page 22
	Milk sequence	Select the sequence for milk and coffee.
	Latte macchiato pause	Select the pause between milk and coffee.
	Brewing temperature	Set the brewing temperature.
	Resetting beverage parameters	Reset the beverage settings.
Appliance setting	Cup heater ¹	Switch the cup heater ¹ on or off.
	Automatic switch-off	Set the time after which the appliance switches off.
	Display brightness	Set the brightness in steps.

¹ Depending on the appliance specifications

12.1 Changing the basic settings

1. Press .
 - ✓ The display shows the list of basic settings.
2. Change the required basic setting.
 - ✓ The appliance saves the basic setting automatically.
3. To exit the basic settings, press ←

Basic setting	Selection	Use
	Sounds	<ul style="list-style-type: none"> ■ Switch sounds on and off. ■ Set the volume.
	Water hardness	Set the water hardness.
	Language	Set the language.
	Factory settings	Reset the appliance to the factory settings.
Personalisation	Start category	Set the menu display after switching on, e.g. "Classic".
	Profile sequence	Set the sequence of profiles.
	Beverage sequence in profile	Set the sequence of beverages in the profile.
Home Connect	Information about Home Connect	→ <i>"Setting up Home Connect"</i> , Page 25
Appliance information	Beverage counter	Display the number of beverages dispensed.
	Cleaning information	Time until the water filter should next be changed or a service programme started.
	Version information	Display network information and appliance information.
	Licence information	Display FOSS licence text.
Mode	Mode for demo purposes	Switch "Demo mode" on or off.
Quick guide to user interface		Get to know the appliance settings.
Customer service		Find QR code and country-specific Customer service.

¹ Depending on the appliance specifications

Tip: You can also use the quick-selection buttons on the display to set functions, e.g. activate child-proof lock, at the start of the setting options.

13 Cleaning and servicing

To keep your appliance working efficiently for a long time, it is important to clean and maintain it carefully.

13.1 Dishwasher-safe components

Here you can find an overview of the components you can clean in the dishwasher.

ATTENTION!

Some components are sensitive to heat and may be damaged if they are cleaned in a dishwasher.

- ▶ Follow the operating instructions of the dishwasher.

- ▶ Only clean dishwasher-safe components in the dishwasher.
- ▶ Only use programmes that do not heat the components above 60 °C.

Suitable: 

- Drip tray
 - Drip plate
 - Coffee dregs container
- Milk system with adapter
- Milk container with lid
- Red trays of the brewing unit
- Adapter for milk container¹

Not suitable: 

- Water tank
- Aroma lid
- Brewing unit
- Cover of brewing unit
- Beverage dispenser cover

¹ Depending on the appliance specifications

13.2 Cleaning agent

Only use suitable cleaning agents.

ATTENTION!

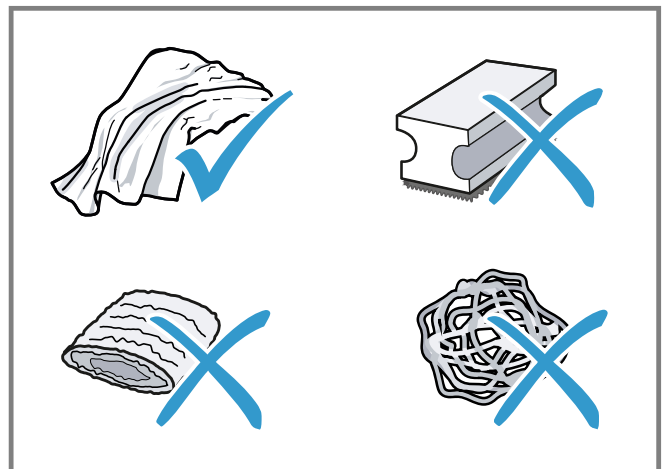
Unsuitable cleaning products may damage the surfaces of the appliance.

- ▶ Do not use harsh or abrasive detergents.
- ▶ Do not use cleaning agents containing alcohol or spirits.
- ▶ Do not use hard scouring pads or cleaning sponges.

Unsuitable cleaning and descaling agents may damage the appliance.

- ▶ Do not use pure citric acid, vinegar or any vinegar-based agents to descale the appliance.
- ▶ Do not use descaling agent with phosphoric acid.

- ▶ Only use cleaning tablets and descaling tablets that have been specially developed for the appliance. → "Accessories", Page 16



Tips

- Wash new sponge cloths thoroughly to remove any salt adhering to them. Salt can cause rust film to develop on stainless steel surfaces.
- Always remove any residues of limescale, coffee, milk and cleaning/descaling solutions immediately to prevent corrosion.
- Descale the water tank regularly with a suitable standard descaler.

13.3 Cleaning the appliance

WARNING

Risk of electric shock!

An ingress of moisture can cause an electric shock.

- ▶ Never immerse the appliance or the power cord in water.
- ▶ Liquids must not be spilled on the appliance plug connection.
- ▶ Do not use steam- or high-pressure cleaners to clean the appliance.

WARNING

Risk of burns!

Some parts of the appliance become very hot.

- ▶ Never touch hot appliance parts.
 - ▶ Allow hot appliance parts to cool down before touching.
1. Clean the housing, the high-gloss surfaces and the control panel with the enclosed microfibre cloth.
 2. Clean the outlet system with a soft, damp cloth after beverages have been dispensed.
 3. Rinse the water tank with fresh, clean water.
 4. If the appliance has not been used for a long time, e.g. after a holiday, clean the entire appliance, including moving parts such as the brewing unit or water tank.

Note: The appliance will rinse itself automatically if you switch it on when it is cold or switch it off after it has dispensed coffee. The system is therefore self-cleaning.

13.4 Cleaning the drip tray and coffee dregs container

Clean and empty the drip tray and coffee dregs container every day to prevent deposits. Follow the illustrated instructions at the beginning of this manual.

→ Fig. **33** - **35**

13.5 Cleaning the milk container

Clean the milk container regularly for hygiene reasons. You can clean the milk container in the dishwasher. Follow the illustrated instructions at the beginning of this manual.

→ Fig. **25** - **28**

13.6 Cleaning the water tank

- ▶ The water tank should be cleaned by hand every day to prevent deposits.

13.7 Service programmes

Use the service programmes if you insert or remove a water filter or in order to clean your appliance thoroughly. Your appliance will tell you when you need to perform a service programme, e.g. cleaning.

ATTENTION!

Improper cleaning and descaling or a delay in doing so may damage the appliance.

- ▶ Immediately perform the descaling process in accordance with the instructions.


- ▶ Only use cleaning tablets in the tablet compartment.
- ▶ Do not put descaling tablets or other products in the tablet compartment.

Notes

- The display indicates the progress of the descaling or cleaning process.
- If your appliance has been locked, you can only operate it again once the descaling process has been carried out.

Tip: In addition to the automatic rinsing process, regularly also remove and clean the brewing unit.



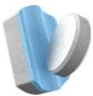




Using the service programmes

1. Press .
 2. Press the symbol for the required programme.
- ✓ The display will guide you through the programme.

Overview of service programmes

You can find an overview of the service programmes here.

Note: The start image shows the remaining number of beverages that can be dispensed until running the programme and the duration.

	INTENZA filter	Insert, replace or remove the water filter.
	Cleaning milk system	Rinse the milk system automatically.
	calc'nClean	Combine cleaning and descaling. Remove residues of limescale and coffee from the pipes.
	Cleaning	Remove residues of coffee from the pipes.
	Descaling	Remove residues of limescale from the pipes.
	Cleaning brewing unit	The display shows optimum cleaning of the brewing unit step by step.
	Cleaning beverage outlet	The display shows optimum cleaning of the outlet step by step.



Frost protection

Drain the pipes to protect the appliance during transport or storage.

Special rinsing

If a service programme is interrupted, e.g. due to a power failure, it will rinse itself automatically. The appliance is then ready for use again.

Tips

- If you are starting the "Descaling" or "calc'nClean" programme, keep a container with a capacity of min. 1 l at the ready.
- If you use a water filter, this will prolong the time until you have to run a service programme.
- You can combine "Descaling" and "Cleaning" with the "calc'nClean" service programme.

<https://www.devicemanuals.eu>

14 Troubleshooting

You can rectify minor faults on your appliance yourself. Read the troubleshooting information before contacting after-sales service. This will avoid unnecessary costs.

WARNING

Risk of electric shock!

Improper repairs are dangerous.

- ▶ Repairs to the appliance should only be carried out by trained specialist staff.
- ▶ Only use genuine spare parts when repairing the appliance.
- ▶ If the power cord of this appliance is damaged, it must be replaced by the manufacturer, the manufacturer's Customer Service or a similarly qualified person in order to prevent any risk.

Fault	Cause and troubleshooting
Appliance no longer responds.	Appliance has a fault. <ol style="list-style-type: none"> 1. Pull out the mains plug and wait 60 seconds. 2. Re-insert the mains plug.
Home Connect is not working properly.	Different causes are possible. <ul style="list-style-type: none"> ▶ Go to www.home-connect.com.
Appliance only dispenses water, not coffee.	Empty bean container is not detected by the appliance. <ul style="list-style-type: none"> ▶ Pour in coffee beans.
	Coffee shaft on brewing unit is blocked. <ul style="list-style-type: none"> ▶ Clean the brewing unit.
	Coffee beans are too oily and do not fall into the grinder. <ul style="list-style-type: none"> ▶ Gently tap the bean container. ▶ Change the coffee variety. ▶ Do not use oily beans. ▶ Clean the empty bean container with a damp cloth.
	Brewing unit is not inserted properly. <ol style="list-style-type: none"> 1. Check whether the brewing unit is inserted correctly and is securely locked. 2. Push the red lever up to the left. 3. Insert the brewing unit cover.
Appliance is not dispensing milk froth.	Milk system is soiled. <ul style="list-style-type: none"> ▶ Clean the milk system in the dishwasher.
	Milk tube not immersed in milk. <ul style="list-style-type: none"> ▶ Use more milk.

Fault	Cause and troubleshooting
Appliance is not dispensing milk froth.	<ul style="list-style-type: none"> ▶ Check whether the milk tube is immersed in the milk. <hr/> <p>Heavy build-up of limescale in the appliance.</p> <ul style="list-style-type: none"> ▶ Descale the appliance.
No milk intake by the milk system.	<p>The milk system is assembled incorrectly.</p> <ul style="list-style-type: none"> ▶ Assemble the milk system correctly. <hr/> <p>Order for connecting the milk container and milk system is wrong.</p> <ul style="list-style-type: none"> ▶ First insert the milk system into the outlet and then the milk container. <hr/> <p>Milk tube not immersed in milk.</p> <ul style="list-style-type: none"> ▶ Use more milk. ▶ Check whether the milk tube is immersed in the milk.
Milk froth is too cold.	<p>Milk is too cold.</p> <ul style="list-style-type: none"> ▶ Use lukewarm milk.
Appliance is not dispensing hot water.	<p>Milk system is soiled.</p> <ul style="list-style-type: none"> ▶ Clean the milk system in the dishwasher.
Milk system cannot be assembled or disassembled.	<p>Order of assembly is wrong.</p> <ul style="list-style-type: none"> ▶ First connect the milk system and then the milk container. When disassembling, you must first remove the milk container and then the milk system.
Appliance is not dispensing drinks.	<p>Air is in the water filter.</p> <ol style="list-style-type: none"> 1. Immerse the water filter in water with the opening facing upwards until no more air bubbles escape. 2. Reinsert the filter. <ul style="list-style-type: none"> ▶ Firmly press the water filter straight down into the tank connection. <hr/> <p>Residues of limescale remover are blocking the water tank.</p> <ol style="list-style-type: none"> 1. Remove the water tank. 2. Clean the water tank thoroughly.
There is dripping water on the inner floor of the appliance.	<p>Drip tray was removed too soon.</p> <ul style="list-style-type: none"> ▶ Wait a few seconds after the last drink was dispensed before removing the drip tray.
Brewing unit cannot be removed.	<p>Locking device cannot be released, brewing unit is jammed.</p> <ul style="list-style-type: none"> ▶ Switch the appliance off and back on after 3 minutes.

Fault	Cause and troubleshooting
Grinder won't start.	Appliance is too hot. <ol style="list-style-type: none"> 1. Disconnect the appliance from the mains. 2. Wait 1 hour so the appliance can cool down.
Grinder is not grinding any coffee beans despite full bean container.	Coffee beans are too oily and do not fall into the grinder. <ul style="list-style-type: none"> ▶ Gently tap the bean container. ▶ Change the coffee variety. ▶ Do not use oily beans. ▶ Clean the empty bean container with a damp cloth.
Coffee or milk froth quality varies widely.	Build-up of limescale in the appliance. <ul style="list-style-type: none"> ▶ Descale the appliance.
Milk froth quality varies widely.	Milk froth quality depends on the type of milk or plant-based alternative used. <ul style="list-style-type: none"> ▶ Optimise the result through the selection of the milk or vegetable-based drink type.
Coffee is not dispensed or has slowed to a trickle.	Grinding level is set too fine. <ul style="list-style-type: none"> ▶ Set a coarser grinding level.
Set quantity is not reached.	Heavy build-up of limescale in the appliance. <ul style="list-style-type: none"> ▶ Descale the appliance.
	Air is in the water filter. <ol style="list-style-type: none"> 1. Immerse the water filter in water with the opening facing upwards until no more air bubbles escape. 2. Reinsert the filter.
	Appliance is soiled. <ul style="list-style-type: none"> ▶ Clean the brewing unit. ▶ Descale and clean the appliance.
Coffee has no crema.	Type of coffee is not optimal. <ul style="list-style-type: none"> ▶ Use a coffee variety with a higher proportion of Robusta beans. ▶ Use beans with a darker roast.
	Coffee beans are no longer freshly roasted. <ul style="list-style-type: none"> ▶ Use fresh coffee beans.
	Grinding level is not appropriate for coffee beans. <ul style="list-style-type: none"> ▶ Adjust the grinder to a finer setting.
Coffee is too acidic.	Grinding level is set too coarse. <ul style="list-style-type: none"> ▶ Adjust the grinder to a finer setting.
	Type of coffee is not optimal. <ul style="list-style-type: none"> ▶ Use a coffee variety with a higher proportion of Robusta beans.

Fault	Cause and troubleshooting
Coffee is too acidic.	<ul style="list-style-type: none"> ▶ Use beans with a darker roast.
Coffee is too bitter.	<p>Grinding level is set too fine.</p> <ul style="list-style-type: none"> ▶ Set a coarser grinding level. <p>Type of coffee is not optimal.</p> <ul style="list-style-type: none"> ▶ Change the coffee variety.
Coffee tastes burnt.	<p>Grinding level is set too fine.</p> <ul style="list-style-type: none"> ▶ Set a coarser grinding level. <p>Type of coffee is not optimal.</p> <ul style="list-style-type: none"> ▶ Change the coffee variety. <p>Coffee temperature setting is too high.</p> <ul style="list-style-type: none"> ▶ Set the coffee temperature lower.
Coffee grounds are not compact and are too wet.	<p>The grinding level is not set optimally.</p> <ul style="list-style-type: none"> ▶ Adjust the grinder to a coarser or finer setting. <p>Coffee beans are too oily.</p> <ul style="list-style-type: none"> ▶ Use a different type of bean.
Display shows "Please insert brewing unit."	<p>Cover is wrongly inserted.</p> <ol style="list-style-type: none"> 1. Check whether the brewing unit is inserted correctly and is securely locked. 2. Push the red lever up to the left. 3. Insert the brewing unit cover.
Display shows "Please fill water tank." despite the fact that the water tank is full.	<p>Water tank is wrongly inserted.</p> <ul style="list-style-type: none"> ▶ Insert the water tank correctly. <p>Carbonated water is in the water tank.</p> <ul style="list-style-type: none"> ▶ Fill the water tank with fresh tap water. <p>Float is stuck in the water tank.</p> <ol style="list-style-type: none"> 1. Remove the water tank. 2. Clean the water tank thoroughly. <p>New water filter was not rinsed as per instructions.</p> <ol style="list-style-type: none"> 1. Rinse the water filter according to the instructions. 2. Place the water filter into operation. <p>Air is in the water filter.</p> <ol style="list-style-type: none"> 1. Immerse the water filter in water with the opening facing upwards until no more air bubbles escape. 2. Reinsert the filter. <p>Water filter is old.</p> <ul style="list-style-type: none"> ▶ Insert a new water filter. <p>Limescale deposits in the water tank are blocking the system.</p>

Fault	Cause and troubleshooting
Display shows "Please fill water tank." despite the fact that the water tank is full.	<ol style="list-style-type: none"> 1. Clean the water tank thoroughly. 2. Start the descaling programme.
Display shows "Please clean the brewing unit and the water tank if necessary.".	<p>Brewing unit is soiled.</p> <ul style="list-style-type: none"> ▶ Clean the brewing unit. <hr/> <p>Mechanism of brewing unit is stiff.</p> <ul style="list-style-type: none"> ▶ Clean the brewing unit.
Display shows "Incorrect voltage".	<p>There are problems with the power supply.</p> <ul style="list-style-type: none"> ▶ Only operate the appliance at 220 - 240 V.
Display shows "Restart appliance".	<p>Appliance has a fault.</p> <ol style="list-style-type: none"> 1. Pull out the mains plug and wait 60 seconds. 2. Re-insert the mains plug.
Display very frequently shows "Please run calc'nClean programme!".	<p>Decalcified water still contains small amounts of lime.</p> <ol style="list-style-type: none"> 1. Insert a new water filter. 2. Set the corresponding water hardness. <hr/> <p>Incorrect or too little descaling agent used.</p> <ul style="list-style-type: none"> ▶ When descaling, only use suitable tablets. <hr/> <p>Service programme has not been carried out in its entirety.</p> <ul style="list-style-type: none"> ▶ Start the "Special rinsing" service programme. → "Service programmes", Page 30

15 Transportation, storage and disposal

15.1 Activating frost protection

Protect your appliance from frost during transport and storage.

ATTENTION!

Residues of liquid in the appliance may damage it during transport or storage.

- ▶ Empty the pipe system before transport or storage.

 1. Run the "Frost protection" programme.
 2. Disconnect the appliance from the power supply.

15.2 Disposing of old appliance

Valuable raw materials can be reused by recycling.

1. Unplug the appliance from the mains.
2. Cut through the power cord.
3. Dispose of the appliance in an environmentally friendly manner.

Information about current disposal methods are available from your specialist dealer or local authority.



This appliance is labelled in accordance with European Directive 2012/19/EU concerning used electrical and electronic appliances (waste electrical and electronic equipment - WEEE). The guideline determines the framework for the return and recycling

of used appliances as applicable throughout the EU.

16 Customer Service

Function-relevant genuine spare parts according to the corresponding Eco-design Order can be obtained from Customer Service for a period of at least 7 years from the date on which your appliance was placed on the market within the European Economic Area.

Note: Under the terms of the manufacturer's warranty the use of Customer Service is free of charge.

Detailed information on the warranty period and terms of warranty in your country is available from our after-sales service, your retailer or on our website.

If you contact Customer Service, you will require the product number (E-Nr.), the production number (FD) and the consecutive numbering (Z-Nr.) of your appliance.

The contact details for Customer Service can be found in the Customer Service directory at the end of the manual or on our website.

16.1 Product number (E-Nr.), production number (FD) and consecutive numbering (Z-Nr.)

You can find the product number (E-Nr.), the production number (FD) and the consecutive numbering (Z-Nr.) on the appliance's rating plate.

Make a note of your appliance's details and the Customer Service telephone number to find them again quickly.

16.2 Warranty conditions

The guarantee conditions for this appliance are as defined by our representative in the country in which it is sold. Details regarding these conditions can be obtained from the dealer from whom the appliance was purchased. The bill of sale or receipt must be produced when making any claim under the terms of this guarantee.

17 Technical specifications

Voltage	220– 240 V ~
Frequency	50 Hz
Connection rating	1500 W
Maximum static pump pressure	20 bar
Maximum capacity of water tank (without filter)	2,3 l
Maximum capacity of bean container	375 g
Maximum capacity of right/left bean container	270 g / 250 g
Length of the power cable	100 cm
Appliance height	40 cm
Appliance width	32 cm
Appliance depth	47 cm
Weight, empty	12 kg
Type of grinder	Ceramic

17.1 Information regarding Free and Open Source Software

This product includes software components that are licensed by the copyright holders as free or open source software.

The applicable licence information is stored on your home appliance. You can also access the applicable licence information via your Home Connect app: "Profile -> Legal information -> Licence Information".¹ You can download the licence information on the brand product website. (Please search on the product website for your appliance model and additional documents). Alternatively, you can request the relevant information from oss-request@bshg.com or BSH Hausgeräte GmbH, Carl-Wery-Str. 34, 81739 Munich, Germany.

The source code will be made available to you on request.

Please send your request to oss-request@bshg.com or BSH Hausgeräte GmbH, Carl-Wery-Str.34, 81739 Munich, Germany.

Subject: „OSSREQUEST“

The cost of performing your request will be charged to you. This offer is valid for three years from the date of purchase or at least as long as we offer support and spare parts for the relevant appliance.

18 Declaration of Conformity

BSH Hausgeräte GmbH hereby declares that the appliance with Home Connect functionality conforms to the

¹ Depending on the appliance specifications

en Declaration of Conformity

essential requirements and other relevant provisions of Directive 2014/53/EU.

A detailed RED Declaration of Conformity can be found online at siemens-home.bsh-group.com among the additional documents on the product page for your appliance.



Hereby, BSH Hausgeräte GmbH declares that the appliance with Home Connect functionality is in compliance with relevant statutory requirements.¹

A detailed Declaration of Conformity can be found online at siemens-home.bsh-group.com/uk/ among the additional documents on the product page for your appliance.¹



2.4 GHz band (2400–2483.5 MHz):
Max. 100 mW
5 GHz band (5150–5350 MHz +
5470–5725 MHz): max. 200 mW



BE	BG	CZ	DK	DE	EE	IE	EL	ES
FR	HR	IT	CY	LI	LV	LT	LU	HU
MT	NL	AT	PL	PT	RO	SI	SK	FI
SE	NO	CH	TR	IS	UK (NI)			

5 GHz WLAN (Wi-Fi): For indoor use only.

AL	BA	MD	ME	MK	RS	UK	UA
----	----	----	----	----	----	----	----

5 GHz WLAN (Wi-Fi): For indoor use only.

¹ Only applies to Great Britain